

RT 100

FOUR-WAY FLOAT TOP MEDICAL X-RAY TABLE

This sturdy table is ideally suited for a variety of general radiographic needs including small hospitals, clinics, ambulatory care centers and private offices. The floating table top glides freely on a precision roller bearing system and can support patients up to 500 lbs. (227 kg).



Foot treadle electric lock release runs the entire length of pedestal.

Product Features

- 17" x 17" image receptor with heavy-duty manual tray
- Heavy-duty electric table locks with foot treadle release
- All steel structure and welded base provides maximum strength and reliability
- Smooth, stain resistant fiber resin top
- Pedestal base can house generator electronics to save space

RT 100

Four-Way Float Top Medical X-Ray Table

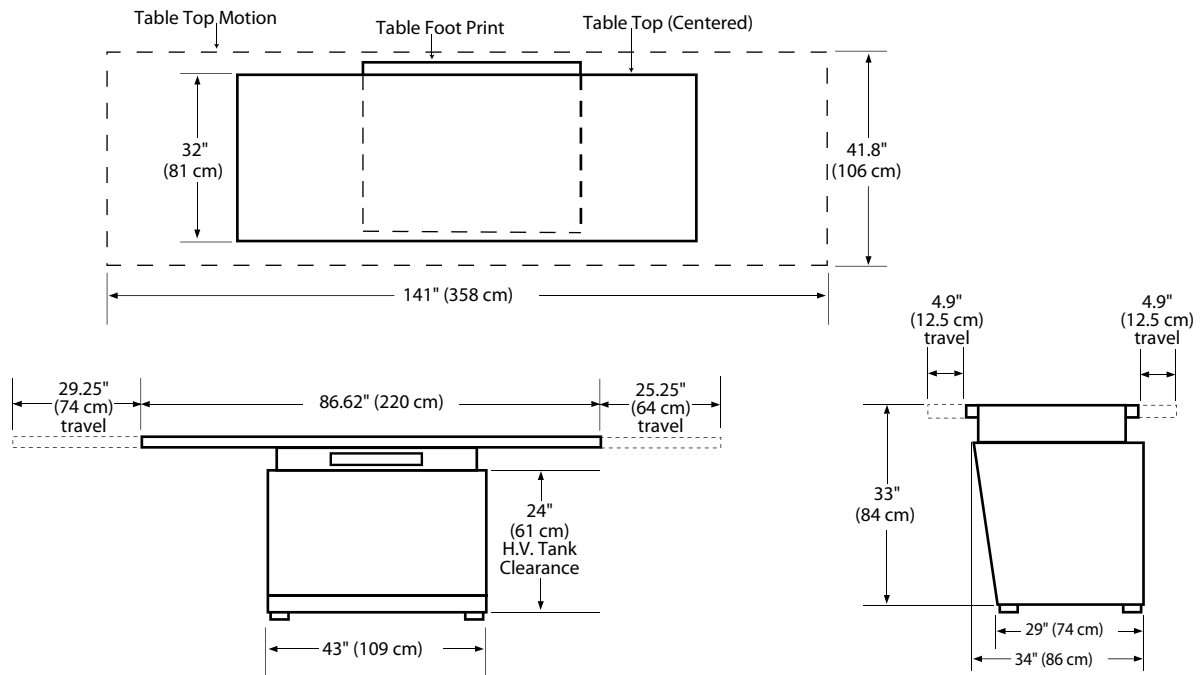


Technical Specifications

Table base length:	43 in. (109 cm)
Table base width:	29 in. (74 cm)
Table top length:	86.62 in. (2.2 meters)
Table top width:	32 in. (81 cm)
Table top height:	33 in. (84 cm)
Longitudinal travel:	54.50 in. (138 cm)
Transverse travel:	9.80 in. (25 cm)
Table top-to-film distance:	3.25 in. (8 cm)
Bucky travel:	Longitudinal 11.4 in. (29 cm) Allows for 65 in. (165 cm) of complete longitudinal radiographic coverage
Weight:	387 lbs. (176 kg)
Power Requirements:	120 VAC or 230-240 VAC
ETL Listed	

Product Options

- 78 in. table top
- Variety of grid options
- Compression device
- Lateral cassette holder
- Patient hand grips



DEL MEDICAL

Toll Free: (800) 800-6006
Fax: (847) 288-7011
Email: info@delmedical.com
www.delmedical.com
241 Covington Drive, Bloomingdale, IL 60108

*Del Medical is a UMG Company.
Del Medical is an ISO 13485 & ISO9001 Certified Facility.
Specifications are subject to change without notice.*

UMG

Toll Free: (800) 261-9808
Fax: (914) 835-6111
Email: info@umgxray.com
www.umgxray.com
28 Calvert Street, Harrison, NY 10528