

650 lb. Patient
Weight Capacity

QT-711-QLW

Radiographic Mobile Float-Top Table A Digital Imaging Solution



QT-711-QLW MOBILE FLOAT-TOP TABLE

Quantum's QT-711-QLW Radiographic table incorporates a revolutionary design by combining the flexibility of a mobile radiographic table with a floating top capability. The table also accommodates patients up to 650 lbs (295 kg) capacity.

This unique ability makes the QT-711-QLW an excellent choice for simplicity in positioning patients for various exams, including recumbent and cross table views.

The QT-711-QLW's floating table-top is 85" in length and provides 15" (38.1 cm) (+/- 7/2") of longitudinal travel, while the table-top width is 28 1/4" (71.8 cm) and provides 4.5" (+/- 2 1/4") of transverse travel. A hand-controlled table-side locking lever makes adjustments easy and convenient. Standard table-top height is 31 1/2" (80 cm), but can also be ordered with 27 1/2" (69.8 cm) in height (option), if your system has table height limitations.

(Other table top heights and lengths available - consult factory)

The QT-711-QLW Table allows patients to be imaged, without requiring the technologist to move the patient in most situations. This ability improves patient throughput and operator efficiency. The completely flat table-top is low maintenance and easy to clean. Made of robust low absorption radiolucent material, the table-top is also very durable. Adjustable operator/patient hand grips are included and can be positioned along both sides of the table's concealed accessory rails. These grips can be used by the operator for table movement or for the patient to help stabilize them during transfer or re-positioning.

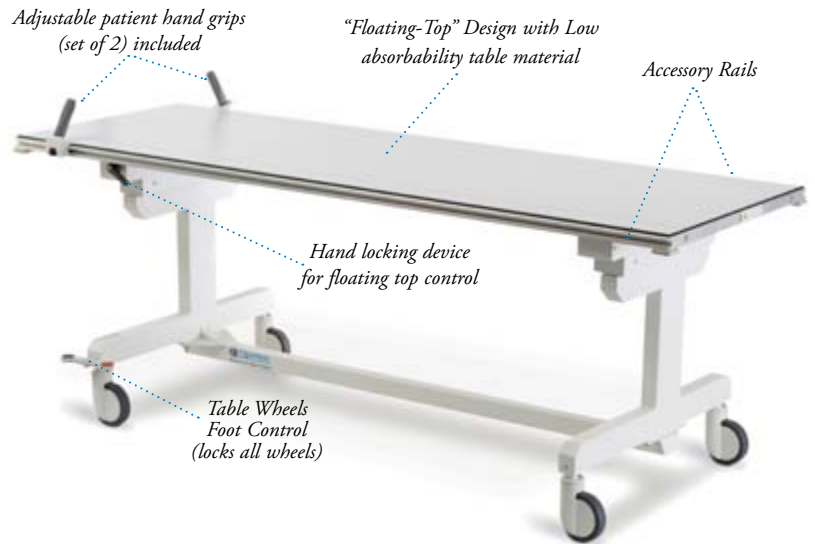
Table adjustment is smooth while 5" caster wheels permit easy re-positioning. One foot control locks all wheels and also provides a "steering" mode, which position the wheels in selected directions for easy control.

Specifications

650 lb. Patient
Weight Capacity

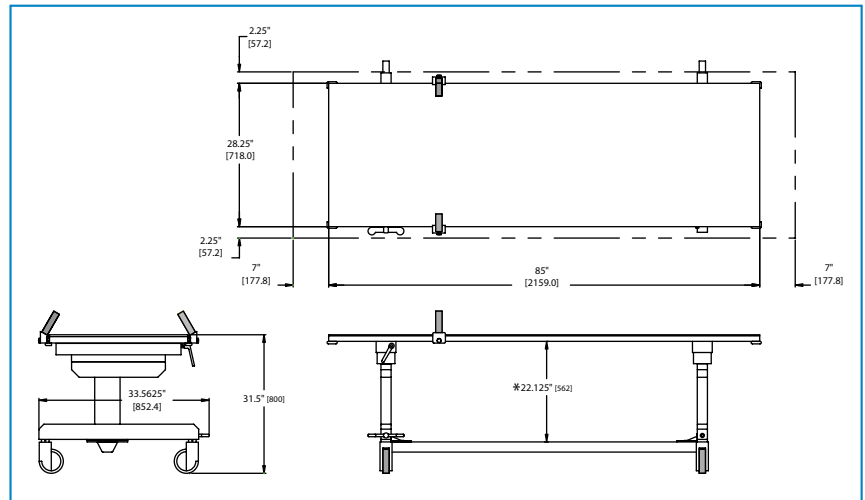
QT-711-QLW RADIOGRAPHIC MOBILE FLOAT-TOP TABLE:

- Patient Weight capacity: 650 lbs. (295 kg)
- Table Length 85" (216 cm)
- Table Longitudinal Travel +/- 7 1/2" (15" Total / 38.1 cm)
- Table-Top Width 28 1/4" (71.8 cm)
- Table Transverse Travel +/- 2 1/4" (4 1/2" Total / 11.4 cm)
- Table Height: 31 1/2" (80 cm)
*27 1/2" (69.8 cm) height available if required - consult factory
- Includes one set (2) Patient Grips
- Accessory rails (both sides)
- Table-Top Markings: two lines along table length, to indicate actual image area
- Hand locking device for control of floating table-top
- Includes table corner bumpers
- "QUAD" Locking wheel system, with LEFT side single foot control lever, which locks ALL four wheels
- Includes "Steering" mode feature: right front wheel locks at 0° or 90°, when table is moved, in "Steering" mode



OPTIONAL ITEMS FOR QT-711-QLW TABLE:

- QT-MOD: Table top length may be specially modified (consult factory)
- QT-LCH: Lateral Cassette Holder
- QT-LCH-P: Lateral Cassette Holder - PLUS
- QT-PLS: Patient Support Straps
- R90-CB: Patient Compression Device
- QT-TPAD: Table-Top Pad: Nylon table pad (85" x 22" in length, 1/2" thick, color: Black)



* Standard table height of 31.5" (80 cm) Optional height of 27.5" (69.8 cm) available.

Specifications subject to change without prior notice.

