

FTT

Four-Way Float Top Table

This sturdy table is ideally suited for a variety of general radiographic needs including small hospitals, clinics, ambulatory care centers and private offices. The floating table top glides freely on a precision roller bearing system and can support patients up to 500lb (227kg).



*Foot treadle electric lock
release runs the entire length
of pedestal.*

Product Features

- 17in x 17in image receptor with heavy-duty manual tray
- Heavy-duty electric locks
- All steel structure and welded base provides maximum strength and reliability
- Smooth, stain resistant fiber resin top
- Pedestal base can house generator electronics to save space



Four-Way Float Top Table

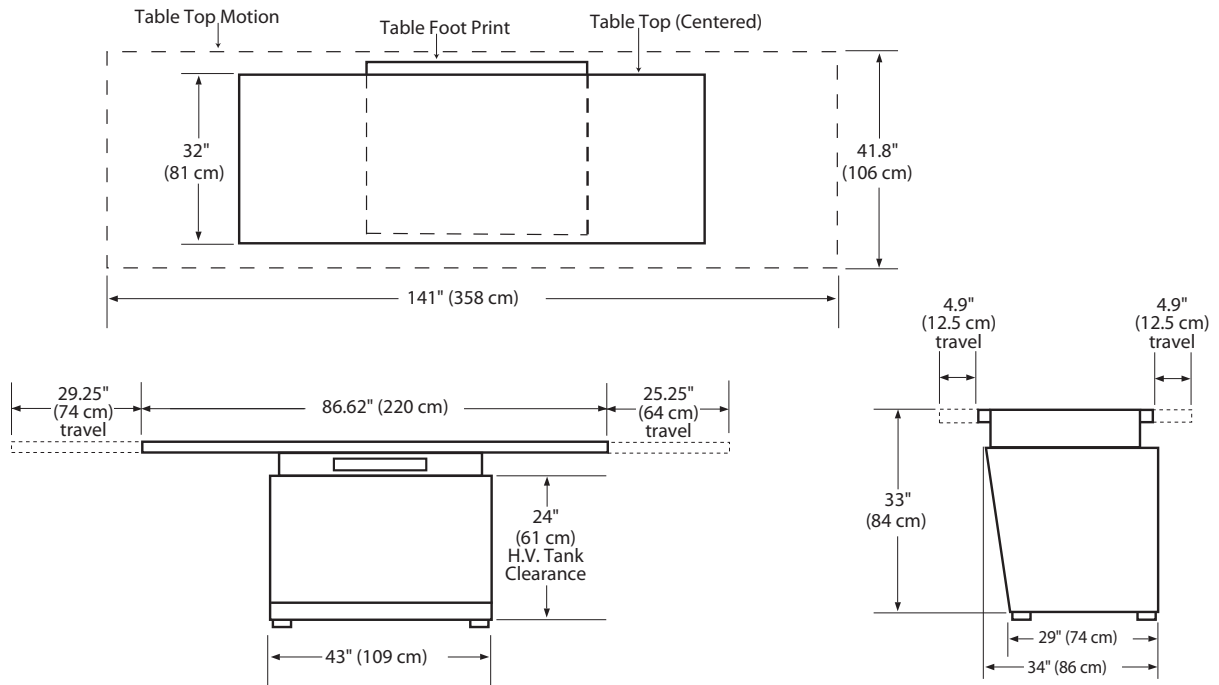
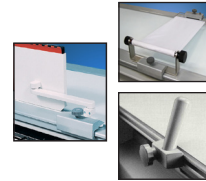


Technical Specifications

Table base length:	43in (109cm)
Table base width:	29in (74cm)
Table top length:	86.62in (220cm)
Table top width:	32in (81cm)
Table top height:	33in (84cm)
Longitudinal travel:	54.50in (138cm)
Transverse travel:	9.80in (25cm)
Table top-to-film distance:	3.25in (8cm)
Bucky travel:	Longitudinal 11.4in (29cm) Allows for 65in (165cm) of complete longitudinal radiographic coverage
Weight:	387lb (176kg)
Power Requirements:	120 VAC or 230-240 VAC
ETL Listed	

Product Options

- 78in table top
- Variety of grid options
- Compression device
- Lateral cassette holder
- Patient hand grips



DEL MEDICAL

Toll Free: (800) 800-6006
 Fax: (847) 288-7011
 Email: info@delmedical.com
 www.delmedical.com
 241 Covington Drive, Bloomingdale, IL 60108



Universal branded products are manufactured and distributed by UMG/Del Medical. Del Medical is an ISO 13485 & ISO 9001 Certified facility. Specifications are subject to change without notice.



Toll Free: (800) 261-9808
 Fax: (914) 835-6111
 Email: info@umgxray.com
 www.umgxray.com
 28 Calvert Street, Harrison, NY 10528