

HE425

400mA Single Phase Generator

The Universal HE425, 400mA microprocessor controlled generator, was designed to deliver accuracy, safety, reliability, quality and ease-of-use for the value conscious buyer. The added power enables use of shorter time to stop motion and provides peace-of-mind in penetrating patients that conventional 300mA generators typically cannot accommodate. The HE425 is an ideal generator for use in hectic clinics, private and group practices.



Key Features

- Ergonomically designed panel for ease-of-use
- Digital display of kVp and mAs
- Tube protect circuitry extends tube life
- Independent prep and exposure process controls when exposure is made thus eliminating retakes
- Independent table and wall bucky selectors
- Automatic compensation of kV and mA for unstable lines eliminates unpredictable x-ray output

HE425

400mA Single Phase Generator



Technical Specifications

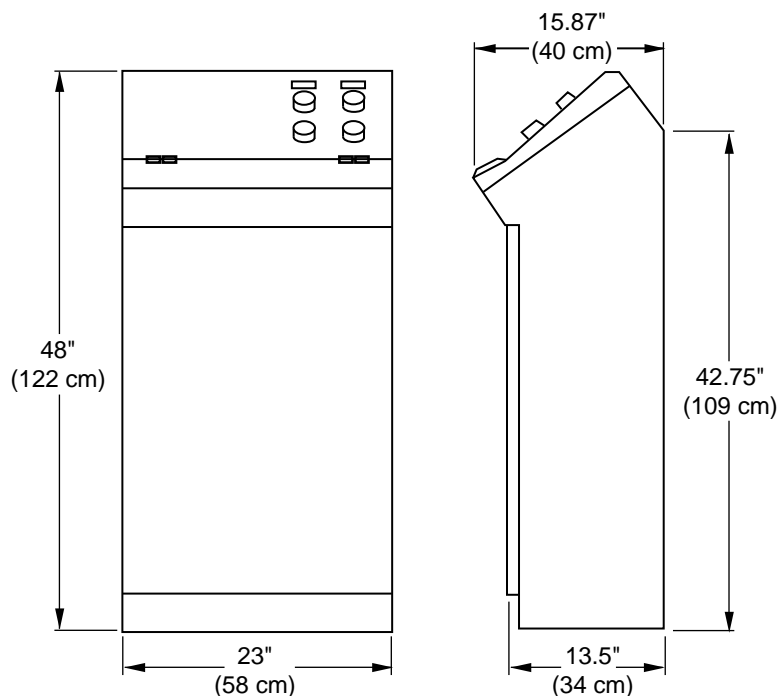
- 400mA at 100 kVp, 300mA at 125 kVp
- 6 mA stations, 25/50/100S, 200/300/400L
- 23 step digital timer - .008 to 6 sec.
- kV selection of 40 to 125 to within 1kV of desired value
- Self diagnostics continuously monitors system condition
- Triple tube protection; inhibits exposure if technique selected exceeds tube rating; exposure inhibited if tube rotor fails; overload circuit limits tube current during exposure
- Internal 24VAC and DC power supply to operate collimator light and electric locks for most tables and tubestands

Electrical Recommendation

208-277V single phase input voltage, min. 100 amp. disconnect

Complies with all CDRH performance standards in effect at the date of manufacture.

Made in U.S.A



DEL MEDICAL

Toll Free: (800) 800-6006

Fax: (847) 288-7011

Email: info@delmedical.com

www.delmedical.com

241 Covington Drive, Bloomingdale, IL 60108



Universal branded products are manufactured and distributed by UMG/Del Medical. Del Medical is an ISO 13485 & ISO 9001 Certified facility. Specifications are subject to change without notice.



Toll Free: (800) 261-9808

Fax: (914) 835-6111

Email: info@umgxr.com

www.umgxr.com

28 Calvert Street, Harrison, NY 10528