

HF-110A Portable X-Ray System

Electrical Specifications

Generator Type: High frequency inverter, 2.5 kilowatt output.

kVp Range: 50-100 kVp continuously adjustable, with 1 kVp resolution.

mA Range: Fixed, 15 mA and 25 mA, constant independent of kVp or time settings.

Exposure Time: 0.01 to 4.0 seconds in 96 increments.

Indicators: Ready, x-ray on, mA selected, and digital displays of kVp, mAs and time.

Exposure Switch: Detachable hand switch, two position, prep and expose.

X-Ray Tube: Stationary anode, 100 kVp.

Filtration: 2.7 mm of aluminum at 100 kVp (min.).

Target Material: Tungsten.

Anode Capacity: 30,000 heat storage capacity.

Focal Spot: 1.0 mm (NEMA).

Beam Angle: 12.5°

Collimator: Certified manual.

Lamp Source: 30 second timer.

Tape Measure: For SID distance.

Inclinometer: For angle measurement.

Electrical

Requirements: 110-125 VAC, 50 Hz. or 60 Hz, or 220-250 VAC, 50 Hz. or 60 Hz.

Mechanical Specifications

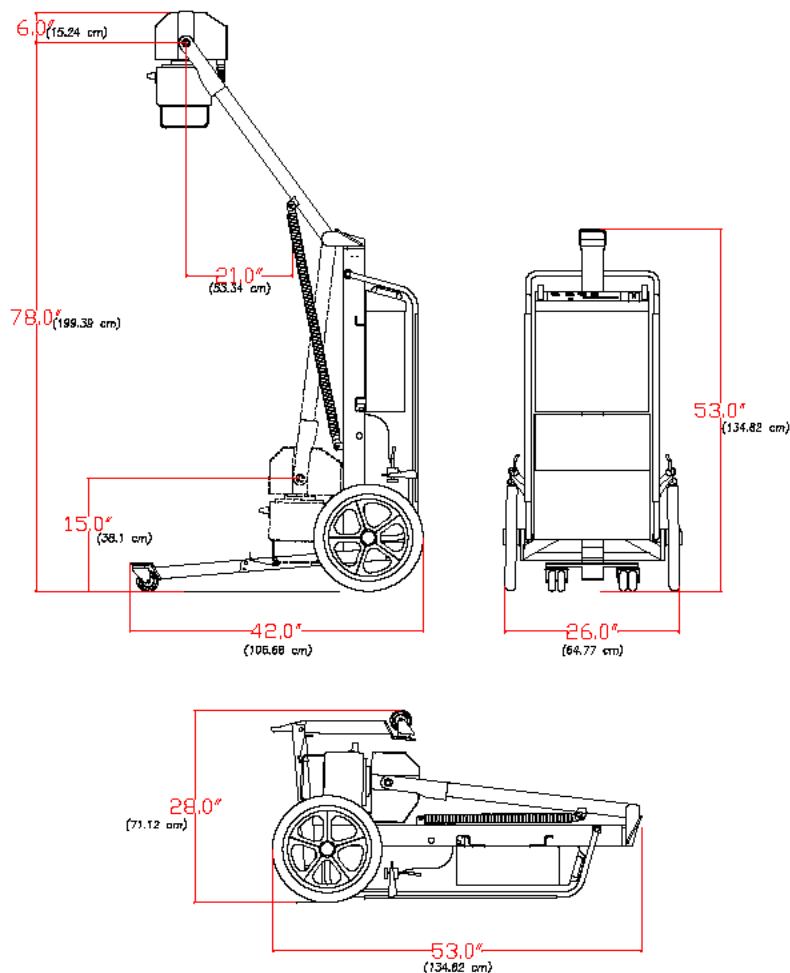
Maximum Focal Spot to Floor: 78. (198 cm)

Minimum Focal Spot to Floor: 15. (38 cm)

Horizontal Extension of Focal Spot: 21. (53 cm)

Rotation About Horizontal Axis: 360°

Rotation About Tube Axis: 270°



System Dimensions:
*with front leg folded

Horizontal storage position

27 W, 52 L, 28 H (66 x 135 x 71 cm).

Vertical storage position

52 H, 27 W, 28 L (135 x 66 x 71 cm).

System Weight:

Total System Net Weight
150 lbs. (68.2 kg)

Component Weight:

HF-110A-C Control Cabinet
32 lbs. (14.5 kg)
HF-110A-G X-ray generator
50 lbs. (22.7 kg)
HF-110A - S Mobile stand
58 lbs. (26.4 kg)
HF-110A-D Cassette bin
10 lbs. (4.5 kg)

Warranty:

3 year limited

Complies with all CDH performance standards in effect at date of manufacture.
UL recognized for U.S. and Canada.
As we strive for constant improvement, specifications subject to change without notice.
Made in U.S.A.