

DEL MEDICAL

VS100

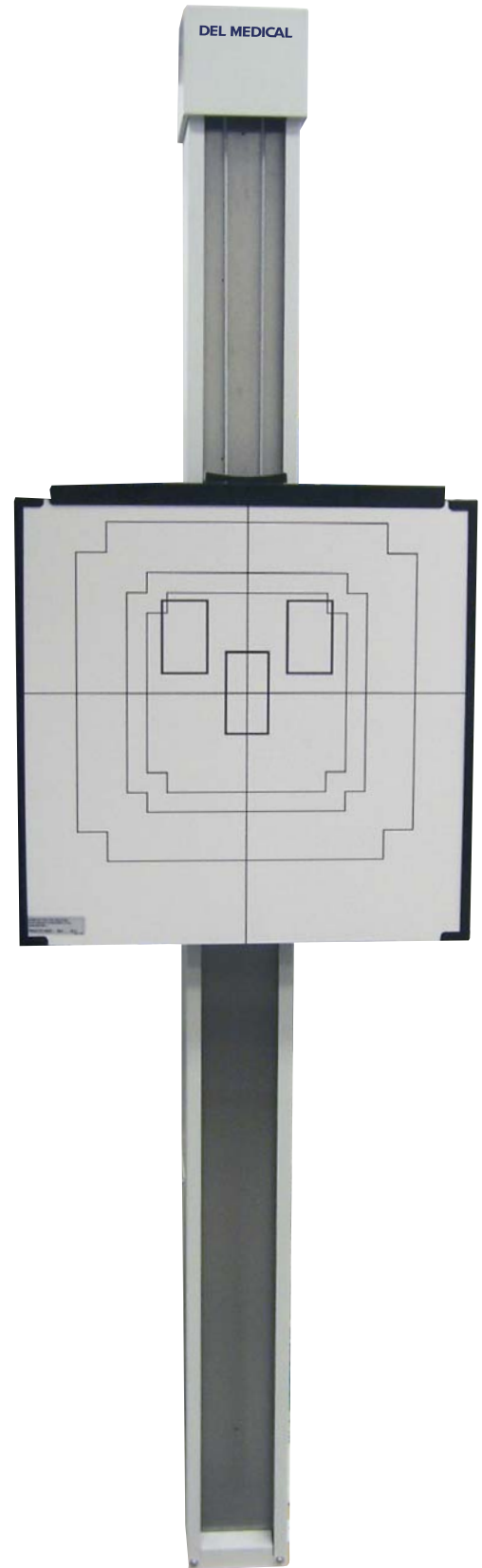
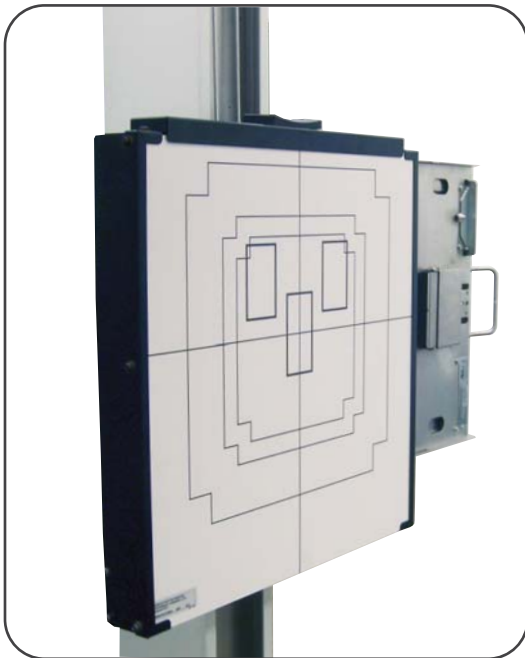
Model 3546E

VERTICAL WALL STAND

A counterbalanced wall stand with vertical electric locks that allow for easy positioning. The extensive vertical travel allows for a complete range of exams from skull to weight bearing knee and ankle exams.

Product Features

- Dual counterweight cables for added safety
- Vertical travel range of 58.38" (148.28cm)
- Available with 17" x 17" (43cm x 43cm) grid cabinet or bucky and a wide selection of grid options



VS100

Model 3546E

Vertical Wall Stand

Technical Specifications

Wall stand height:	86.75" (220.4cm)
Receptor height:	23.38" (59.4cm)
Vertical travel range:	58.38" (148.28cm)
Wall stand width (with receptor):	23.25" (59cm)
Wall stand depth (with receptor):	13" (33cm)
Maximum focal spot height:	72.38" (183.84cm)
Minimum focal spot height:	14" (35.6cm)
Front panel aluminum equivalency:	0.4mm
Weight:	258lb (117kg)
Power requirements:	24VDC



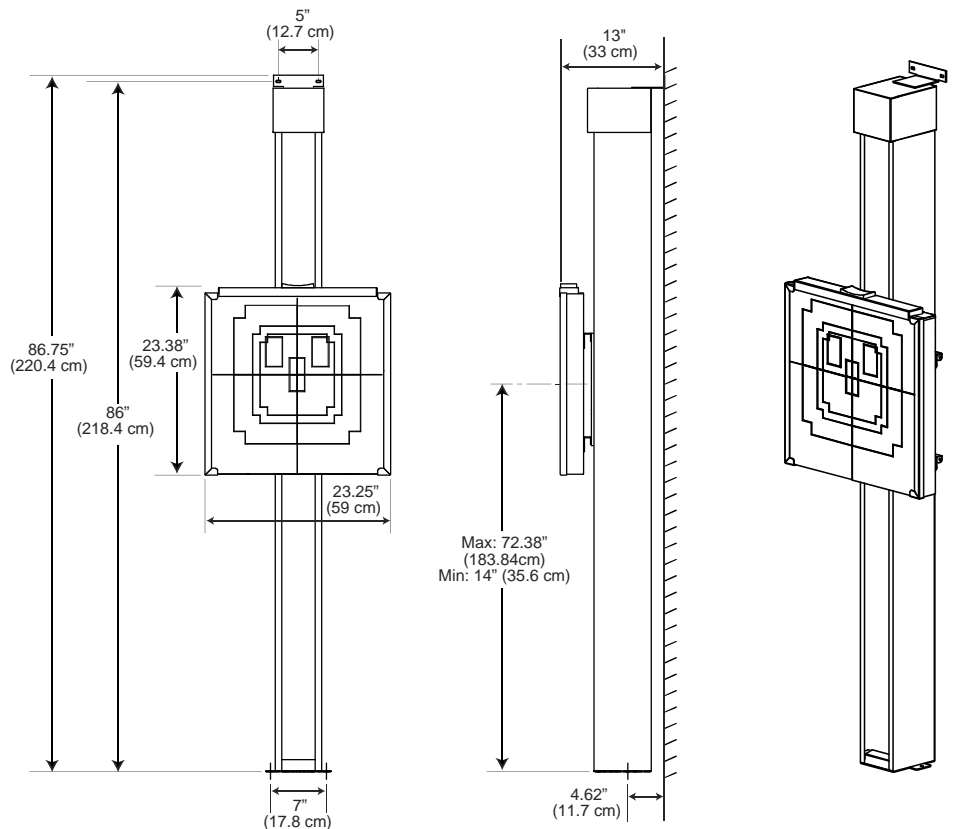
Certifications

ETL Listed

Product Options

- 17" x 17" (43cm x 43cm) grid cabinet or bucky
- Deluxe, heavy-duty manual cassette tray
- Size-sensing cassette tray with PBL interface
- Ion chamber (AEC)
- Variety of grid options
- 24VDC external power supply 110/220V

Optional cassette tray accepts 17" x 17" (43cm x 43 cm) or smaller cassettes or digital panels.



DEL MEDICAL

Toll Free: (800) 800-6006

Fax: (847) 288-7011

Email: info@delmedical.com

www.delmedical.com

50 N. Gary Ave., Suite B, Roselle, IL 60172

Del Medical is a UMG Company.

Del Medical is an ISO 13485 & ISO9001 Certified Facility.
Specifications are subject to change without notice.

UMG

Toll Free: (800) 261-9808

Fax: (914) 835-6111

Email: info@umgxray.com

www.umgxray.com

28 Calvert Street, Harrison, NY 10528

02.12 #9000-3546Edel