

FUJIFILM

FCR CAPSULA X ^{NEW}

FUJI COMPUTED RADIOGRAPHY

*Extremely clear and optimal imaging founded on extensive experience.
Introducing the new epochal and compact FCR from Fujifilm.*

*Image
Intelligence™*



FUJIFILM FCR CAPSULA X Specifications

Standard Components:

- FCR CAPSULA X Image Reader (Model: CR-IR 357)
- AC power cord

Other System Components:

- IP cassette type CC, LC
- CR Console
- Image Recorder : DRYPIX 1000/3000/4000/7000

Supplies:

Imaging Plate:

- ST-VI: 14" x 17", 14" x 14", 10" x 12", 8" x 10", 15 x 30 cm (Inch settings)
35 x 43 cm, 35 x 35 cm, 24 x 30 cm, 18 x 24 cm, 15 x 30 cm (Metric settings)

IP Cassette:

- Type CC: 14" x 17" (35.4 x 43 cm), 14" x 14" (35.4 x 35.4 cm), 10" x 12", 8" x 10",
24 x 30 cm, 18 x 24 cm, 15 x 30 cm
- Type LC: 35.4 x 124.5 cm, 35.4 x 101.7 cm, 35.4 x 83 cm, 25.2 x 58 cm,
24 x 57 cm

Time Required for IP Feed/Load:

IP Type	Required Time
14" x 17" (35 x 43 cm)	Approx. 82 sec.
14" x 14" (35 x 35 cm)	Approx. 72 sec.
10" x 12"	Approx. 66 sec.
8" x 10"	Approx. 53 sec.
24 x 30 cm	Approx. 66 sec.
18 x 24 cm	Approx. 50 sec.
15 x 30 cm	Approx. 65 sec.

- The time required for changing the cassette is assumed to be 0 (zero) seconds.
- The time required for image erasure is assumed to be for exposure performed at 25 mR of X-ray dose.

Processing Capacity

IP Type	When connected to DRYPIX 7000/CR Console Plus
14" x 17" (35 x 43 cm)	Approx. 43 IPs/hr.
14" x 14" (35 x 35 cm)	Approx. 50 IPs/hr.
10" x 12"	Approx. 54 IPs/hr.
8" x 10"	Approx. 67 IPs/hr.
24 x 30 cm (ST)	Approx. 54 IPs/hr.
18 x 24 cm (ST)	Approx. 72 IPs/hr.
15 x 30 cm (ST)	Approx. 55 IPs/hr.

- The time required for changing the cassette is assumed to be 0 (zero) seconds.
- The time required for image erasure is assumed to be for exposure performed at 25 mR of X-ray dose.

Time to Print on DRYPIX 7000 through network via CR Console:

Approx. 135 sec. (35 x 43 cm)

Time To Display on CR Console:

- 35 x 43 cm: Approx. 52 sec.
- 18 x 24 cm: Approx. 31 sec.

Number of Stackers: 1

Reading Gray Scale: 12 bits

Network: 10 Base T/100 Base TX

Dimensions (W x D x H): 590 x 380 x 810 mm (23" x 15" x 32")

Weight: 99 kg (218 lbs.)

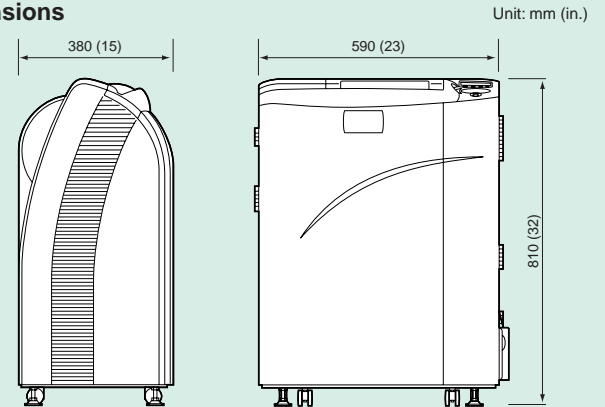
Power Supply Conditions:

Single phase 50-60Hz
120-240V ±10%
5A (max)

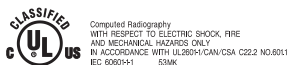
Environmental Conditions:

- Operating Conditions:
Temperature: 15-30°C
Humidity: 15-80%RH (No dew condensation)
- Non-operating Conditions:
Temperature: 0-45°C
Humidity: 10-90%RH (No dew condensation)

Dimensions



IP Cassette Type CC



Computed Radiography
WITH RESPECT TO ELECTRIC SHOCK, FIRE
AND MECHANICAL HAZARDS ONLY
IN ACCORDANCE WITH UL2601/CAN/CSA C22.2 NO.6011
EC: 500019-1
539K



Specifications and PC requirements are subject to change without notice.
All brand names or trademarks are the property of their respective owners.

FUJIFILM

FUJIFILM Corporation

26-30, NISHIAZABU 2-CHOME, MINATO-KU, TOKYO 106-8620, JAPAN