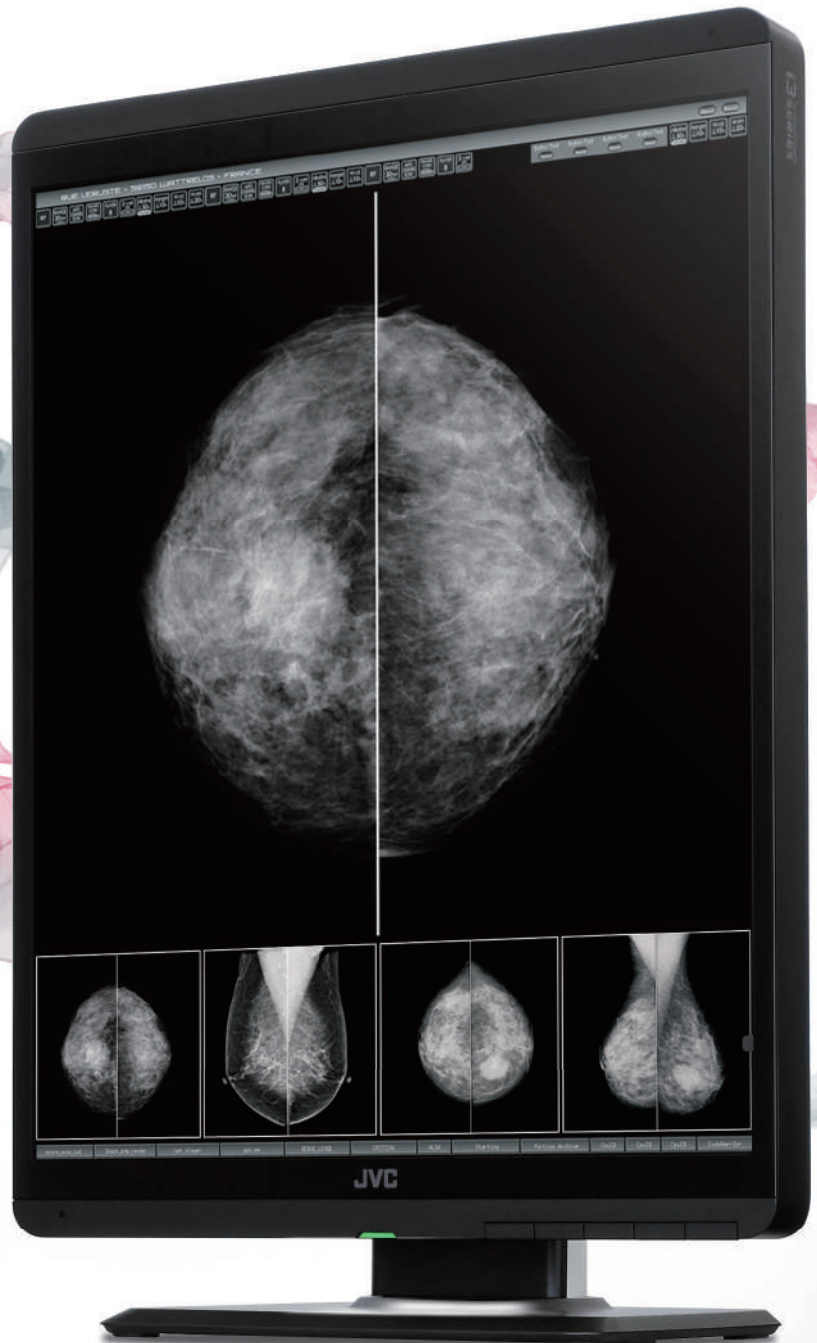


JVC

5 Megapixel 21.3" Monochrome Monitor
MS-S500

The gold standard in medical imaging



i3 for Medical Imaging
SERIES

5MP

21.3"

3000
cd/m²

2000:1

DisplayPort
&
DVI-D

Calibration
Function

Front
Sensor

15MsP
Drive

Uniformity
Equalizer

DisplayPort
Daisy
Chains

Human
Presence
Sensor

LED
Backlight

Reading
Light

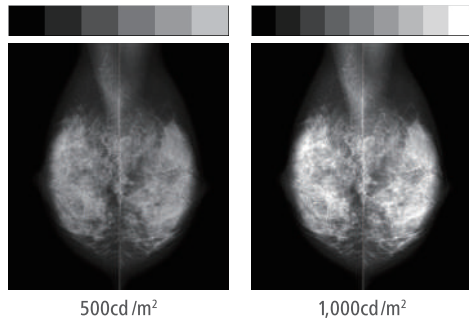
Protective
Glass
Filter

MS-S500

Improved Diagnostic Visibility

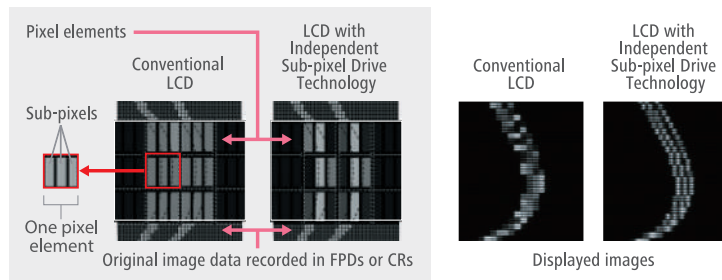
MS-S500 comes with 1,000 cd/m² calibration to make it the best solution for breast tomosynthesis imaging. The brighter screen dramatically increases the number of perceptual grayscale steps to improve visibility of microcalcifications, tumors and structures. Mammography diagnostic reading will be much more efficient.

Visual comparison (image)



Independent Sub-pixel Drive Technology

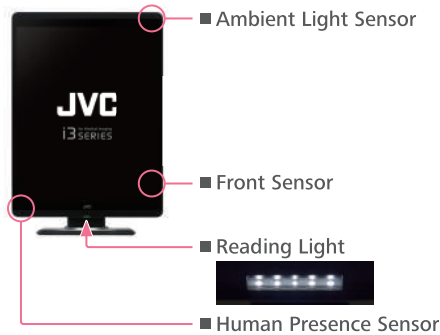
This unique technology enables MS-S500 to render 15 mega sub-pixel images, exceeding the current standards for primary mammography diagnosis. The MS-S500 is cleared for FDA 510(K) for the use of Digital Mammography.



*Customized viewer is required
*Independent Sub pixel Drive technology is built in MS series only

Advanced Features

- Protective Glass Filter
- Reading Light
- LED Indicator / Front Buttons
- Built-in Sensor
- Space Saving
- Wire Management / DisplayPort Daisy Chains
- DICOM Conformance Check

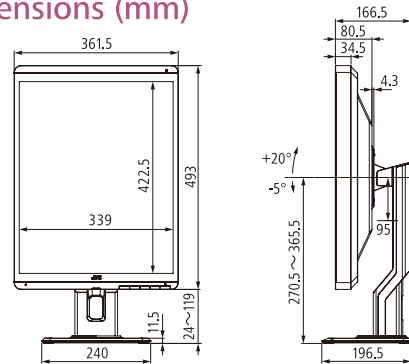


●“JVC” is a brand of medical and industrial monitors manufactured and sold by JVKENWOOD Corporation. ●Company names and product names are the registered trademarks of the respective companies. ●Product specifications and appearance are subject to change without notice. ●Colors in photographs may differ from actual colors due to the printing process. ●Images on screens are simulated.

Specifications

Model Name		MS-S500
LCD Panel	Technology	21.3" monochrome TFT IPS technology
	Display Area	337.9 mm × 422.4 mm
	Pixel Pitch	0.165 mm × 0.165 mm
	Maximum Luminance	3000 cd/m ² (typ.) 500 cd/m ² / 1000 cd/m ² (calibrated)
	Contrast Ratio	2000 : 1 (typ.)
	Viewing Angle	178° vertical and horizontal
Visual Performance	Native Resolution	2048 × 2560 (Independent Sub-pixel Drive technology ON : 2048 × 7680)
	Display Colors	256 shades of grayscale are simultaneously displayed from a palette of 16,369 grayscale steps *1024 or 10-bit shades of grayscale with DisplayPort and 10-bit viewer *1276 shades of grayscale by using Independent Sub-pixel Drive technology
Interface	Input Signal	DVI-D (DVI 1.0 compliant) DisplayPort (DisplayPort 1.2a compliant)
	Output Signal	DisplayPort (DisplayPort 1.2a compliant)
	Plug and Play	DDC2B compliant
Input Power Supply	Input Power Supply	100 V - 240 V 50 / 60 Hz
	Power Consumption	35 W (typ.)
Features	Calibration Control	Luminance, Gamma, Capable of storing 3 sets of LUT (Optional Calibration Kit is required)
	OSD Information Display	Model name, Serial No., Total operating time, Calibration settings (Operating time since last calibration, Luminance, Gamma), Current Luminance, Ambient Light, DICOM conformance
	USB Hub	USB Rev.2 compliant, Self-powered USB upstream connector (×1), USB downstream connector (×2)
	Other Features	Uniformity Equalizer, Hardware pivot, LED indicator, Advanced power management, Human Presence Sensor, Independent Sub-pixel Drive technology, Auto Text Mode, Reading Light, Luminance stabilization, Multiple LUT, Self DICOM check, Self-calibration
Approvals		ANSI/AAMI ES60601-1 (2005) + A1 (2012), CAN/CSA-C22.2 No. 60601-1 (2014), CE (EN60601-1, EN60601-1-2), FCC Part15 subpart B Class B, ICES-003-B, VCCI-B, RCM, J-Moss, RoHS
FDA		510(K) Cleared to use for diagnostic purposes with digital medical images for Digital mammography PACS, Modalities including FFDm, and Breast tomosynthesis
Physical Characteristics	Dimensions (W × H × D)	Landscape : 493 mm × 451.3 / 546.3 mm × 196.5 mm Portrait : 361.5 mm × 517 / 612 mm × 196.5 mm
	Weight	approx. 9.5 kg
	Tilt Stand	Tilt, Swivel, Portrait / Landscape
	Mount	VESA standard (100 mm × 100 mm)
Accessories		Power cord, DVI cable, DisplayPort cable, USB cable, Operation manual, Installation manual, Software (QA Medivisor Agent LE)

Dimensions (mm)



Options

Calibration Kit CAL-016

- QA and calibration software [QA Medivisor Agent]
- Calibration sensor



Safety Precautions

- Please read the user's manual for safe and proper use.
- Do not expose the product to dust, moisture, steam, or oily smoke. It could cause fire, electric shock, or a failure.

Please contact our distributor below with inquiries and orders.

SPECTRUM MEDICAL IMAGING CO.

© 2020 SMIC. All rights reserved.
1721 Stewart Street, Santa Monica, CA 90404
Toll Free: (800) 859-6162
Email: info@spectrumxray.com
Website: www.spectrummedimaging.com